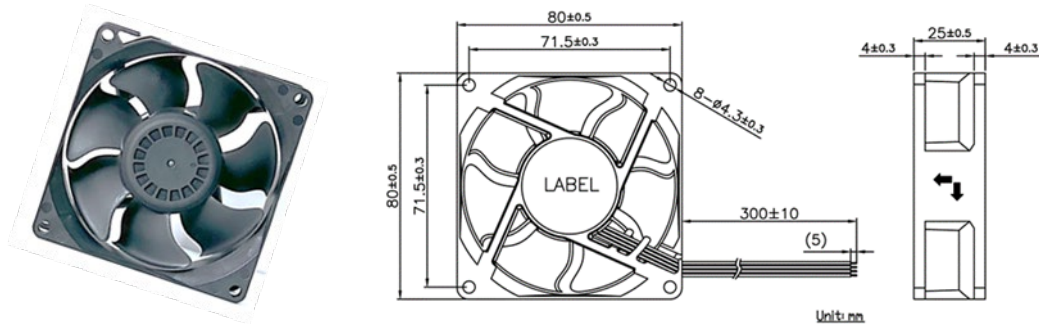


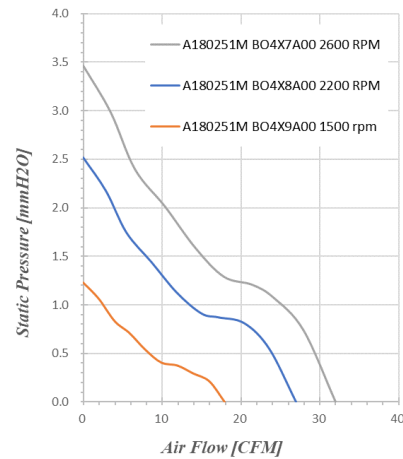
iCar Low Noise Fan 80*80*25 MM

High Operating Temp. AECQ Series

DIMENSION DRAWING



Housing : Plastic (UL 94V-0)
 Impeller : Plastic (UL 94V-0)
 Bearing : Ball bearing
 Operating temp : -40 ~ 95°C / 105°C
 Mass : 82.5g

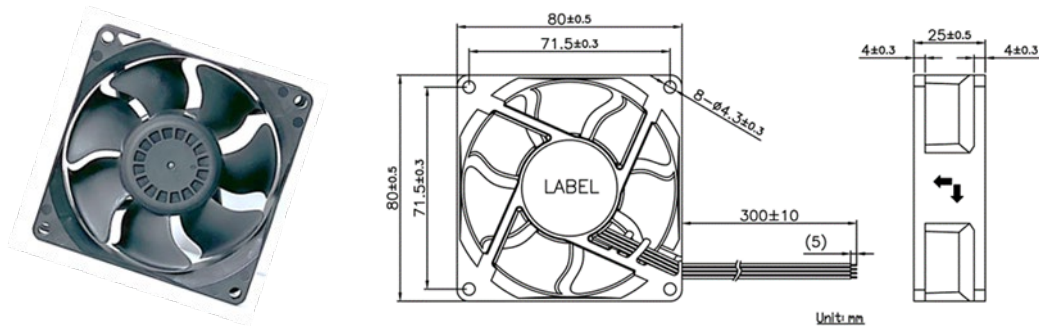


Product Type	Model No.		Control Type	Bearing Type	Rated Voltage	Operating Voltage Range	Operating Temp.	Speed	Input Current	Input Power	Maximum Air Flow		Maximum Air Pressure			Noise @50CM
					VDC	VDC	°C	R.P.M	Amp	Watt	CFM	m ³ /min	inH2O	mmH2O	Pa	dB(A)
8025 12V Low Noise 95°C Series	A180251M	BO4X7A00	+/-FG/PWM	BALL	12	8~16	-40~95	2600	0.060	0.72	32.04	0.91	0.136	3.46	33.9	34.3
	A180251M	BO4X8A00	+/-FG/PWM	BALL	12	8~16	-40~95	2200	0.044	0.52	27.00	0.76	0.099	2.51	24.6	30.0
	A180251M	BO4X9A00	+/-FG/PWM	BALL	12	8~16	-40~95	1500	0.016	0.19	17.87	0.51	0.048	1.23	12.0	20.0
8025 12V Low Noise 95°C AECQ Series	A180251M	BO4T7A00	+/-FG/PWM	BALL	12	8~16	-40~95	2600	0.060	0.72	32.04	0.91	0.136	3.46	33.9	34.3
	A180251M	BO4T8A00	+/-FG/PWM	BALL	12	8~16	-40~95	2200	0.044	0.52	27.00	0.76	0.099	2.51	24.6	30.0
	A180251M	BO4T9A00	+/-FG/PWM	BALL	12	8~16	-40~95	1500	0.016	0.19	17.87	0.51	0.048	1.23	12.0	20.0
8025 12V Low Noise 105°C Series	A180251M	BO4Y7A00	+/-FG/PWM	BALL	12	8~16	-40~105	2600	0.060	0.72	32.04	0.91	0.136	3.46	33.9	34.3
	A180251M	BO4Y8A00	+/-FG/PWM	BALL	12	8~16	-40~105	2200	0.044	0.52	27.00	0.76	0.099	2.51	24.6	30.0
	A180251M	BO4Y9A00	+/-FG/PWM	BALL	12	8~16	-40~105	1500	0.016	0.19	17.87	0.51	0.048	1.23	12.0	20.0
8025 12V Low Noise 105°C AECQ Series	A180251M	BO4U7A00	+/-FG/PWM	BALL	12	8~16	-40~105	2600	0.060	0.72	32.04	0.91	0.136	3.46	33.9	34.3
	A180251M	BO4U8A00	+/-FG/PWM	BALL	12	8~16	-40~105	2200	0.044	0.52	27.00	0.76	0.099	2.51	24.6	30.0
	A180251M	BO4U9A00	+/-FG/PWM	BALL	12	8~16	-40~105	1500	0.016	0.19	17.87	0.51	0.048	1.23	12.0	20.0

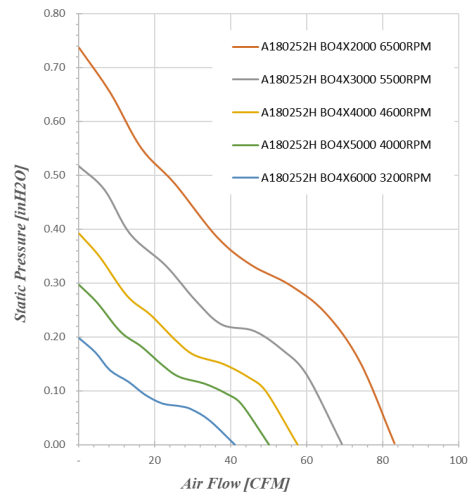
iCar Fan 80*80*25 MM

High Operating Temp. Series

DIMENSION DRAWING



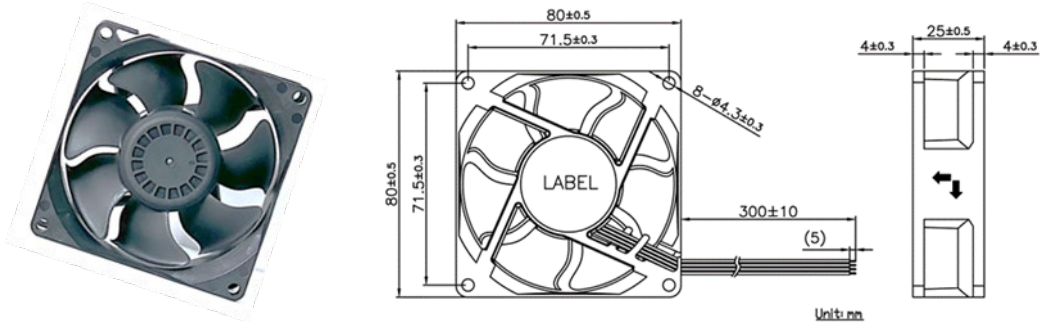
Housing : Plastic (UL 94V-0)
 Impeller : Plastic (UL 94V-0)
 Bearing : Ball bearing
 Operating temp : -40 ~ 95°C / 105°C
 Mass : 82.5g



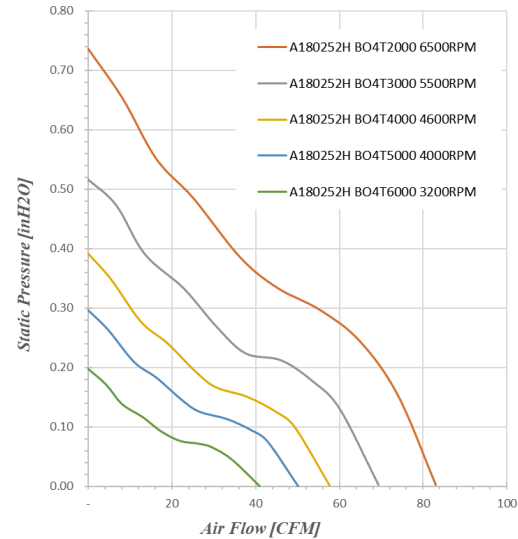
產品別	Model No.		Control Type	Bearing Type	Rated Voltage	Operating Voltage Range	Operating Temp.	Speed	Input Current	Input Power	Maximum Air Flow		Maximum Air Pressure		Noise
					VDC	VDC	°C	R.P.M	Amp	Watt	CFM	m ³ /min	inH2O	mmH2O	dB(A)
8025 12V 95°C Series	A180251H	BO4X2000	+/-FG/PWM	Ball	12	8~16	-40~95	6500	0.93	11.11	83.1	2.35	0.74	18.7	53.1
	A180251H	BO4X3000	+/-FG/PWM	Ball	12	8~16	-40~95	5500	0.56	6.73	69.3	1.96	0.52	13.1	51.5
	A180251H	BO4X4000	+/-FG/PWM	Ball	12	8~16	-40~95	4600	0.33	3.94	57.7	1.63	0.39	10.0	43.3
	A180251H	BO4X5000	+/-FG/PWM	Ball	12	8~16	-40~95	4000	0.22	2.65	50.2	1.42	0.30	7.5	39.5
	A180251H	BO4X6000	+/-FG/PWM	Ball	12	8~16	-40~95	3200	0.11	1.33	41.0	1.16	0.20	5.0	33.0
8025 12V 105°C Series	A180251H	BO4Y2000	+/-FG/PWM	Ball	12	8~16	-40~105	6500	0.93	11.11	83.1	2.35	0.74	18.7	53.1
	A180251H	BO4Y3000	+/-FG/PWM	Ball	12	8~16	-40~105	5500	0.56	6.73	69.3	1.96	0.52	13.1	51.5
	A180251H	BO4Y4000	+/-FG/PWM	Ball	12	8~16	-40~105	4600	0.33	3.94	57.7	1.63	0.39	10.0	43.3
	A180251H	BO4Y5000	+/-FG/PWM	Ball	12	8~16	-40~105	4000	0.22	2.65	50.2	1.42	0.30	7.5	39.5
	A180251H	BO4Y6000	+/-FG/PWM	Ball	12	8~16	-40~105	3200	0.11	1.33	41.0	1.16	0.20	5.0	33.0

iCar Fan 80*80*25 MM AECQ Series

DIMENSION DRAWING



Housing : Plastic (UL 94V-0)
 Impeller : Plastic (UL 94V-0)
 Bearing : Ball bearing
 Operating temp : -40 ~ 95°C / 105°C
 Mass : 82.5g



產品別	Model No.		Control Type	Bearing Type	Rated Voltage	Operating Voltage Range	Operating Temp.	Speed	Input Current	Input Power	Maximum Air Flow		Maximum Air Pressure		Noise
					VDC	VDC	°C	R.P.M	Amp	Watt	CFM	m ³ /min	inH2O	mmH2O	dB(A)
8025 12V 95°C -AECQ Series	A180251H	BO4T2000	+/-FG/PWM	Ball	12	8~16	-40~95	6500	0.93	11.11	83.1	2.35	0.74	18.7	53.1
	A180251H	BO4T3000	+/-FG/PWM	Ball	12	8~16	-40~95	5500	0.56	6.73	69.3	1.96	0.52	13.1	51.5
	A180251H	BO4T4000	+/-FG/PWM	Ball	12	8~16	-40~95	4600	0.33	3.94	57.7	1.63	0.39	10.0	43.3
	A180251H	BO4T5000	+/-FG/PWM	Ball	12	8~16	-40~95	4000	0.22	2.65	50.2	1.42	0.30	7.5	39.5
	A180251H	BO4T6000	+/-FG/PWM	Ball	12	8~16	-40~95	3200	0.11	1.33	41.0	1.16	0.20	5.0	33.0
8025 12V 105°C -AECQ Series	A180251H	BO4U2000	+/-FG/PWM	Ball	12	8~16	-40~105	6500	0.93	11.11	83.1	2.35	0.74	18.7	53.1
	A180251H	BO4U3000	+/-FG/PWM	Ball	12	8~16	-40~105	5500	0.56	6.73	69.3	1.96	0.52	13.1	51.5
	A180251H	BO4U4000	+/-FG/PWM	Ball	12	8~16	-40~105	4600	0.33	3.94	57.7	1.63	0.39	10.0	43.3
	A180251H	BO4U5000	+/-FG/PWM	Ball	12	8~16	-40~105	4000	0.22	2.65	50.2	1.42	0.30	7.5	39.5
	A180251H	BO4U6000	+/-FG/PWM	Ball	12	8~16	-40~105	3200	0.11	1.33	41.0	1.16	0.20	5.0	33.0